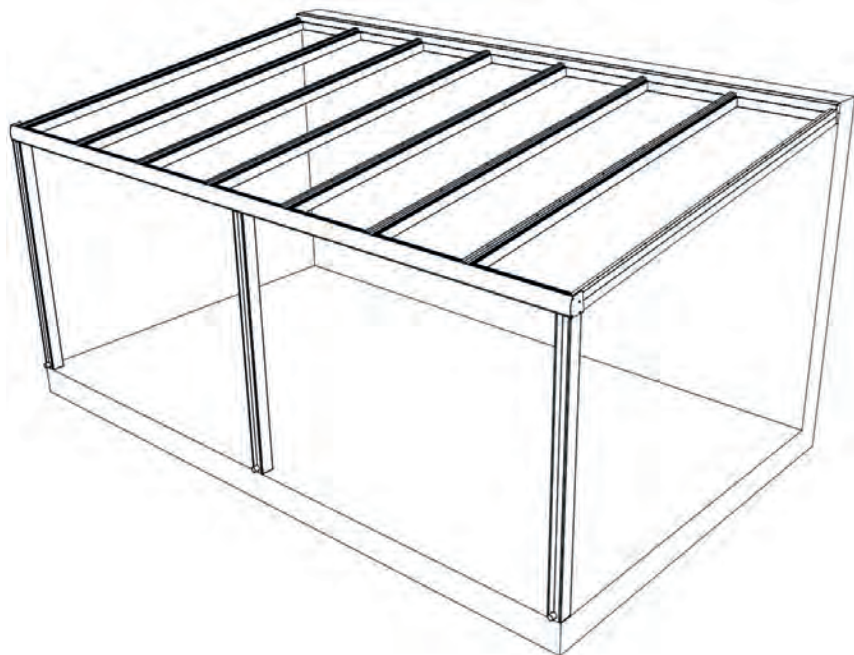
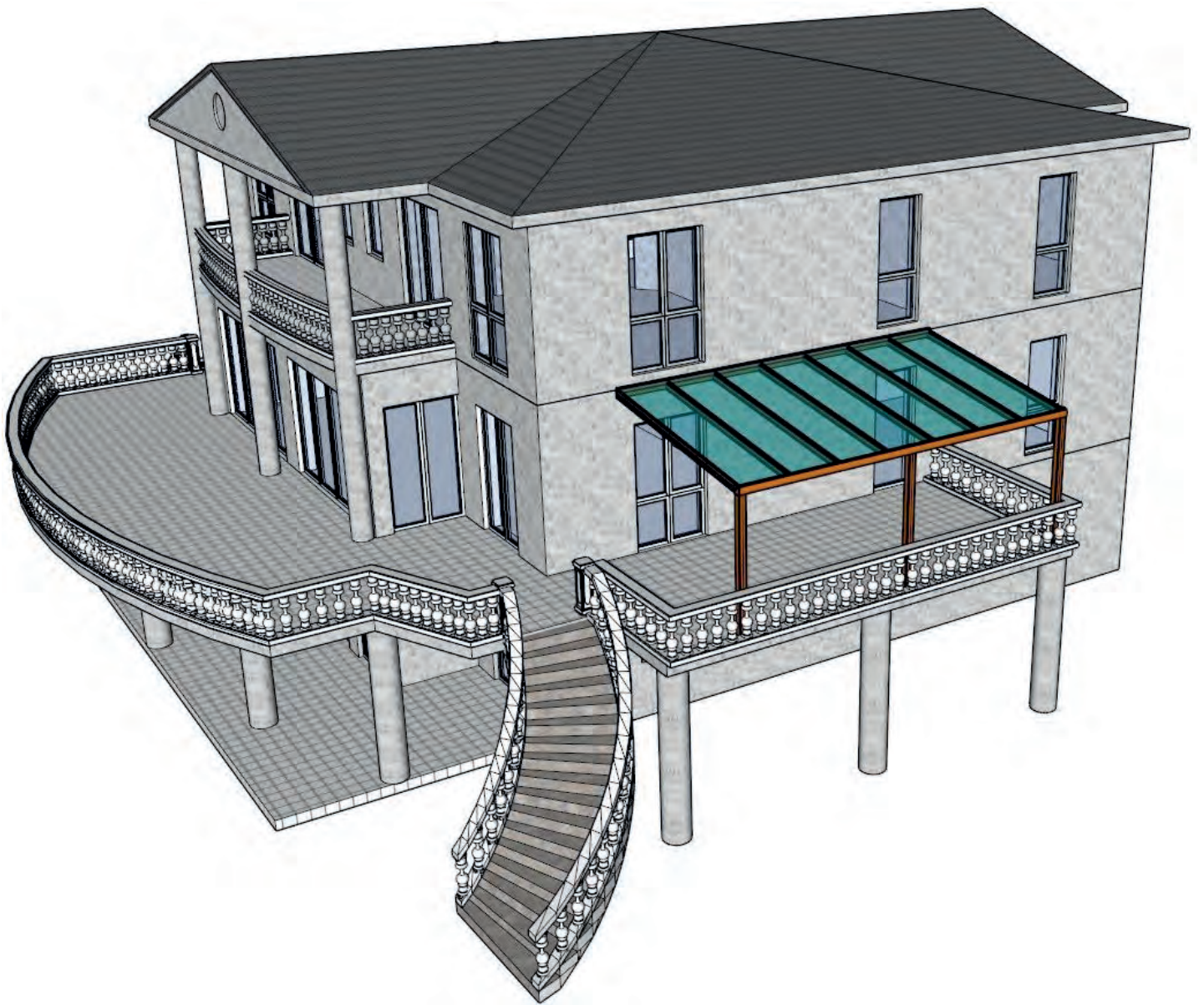
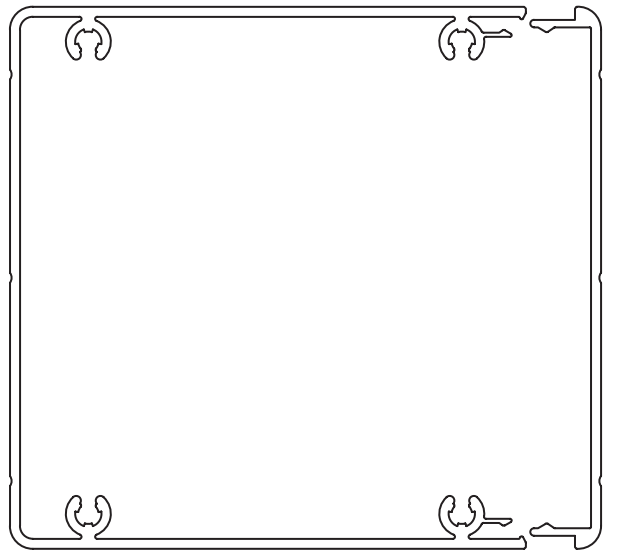
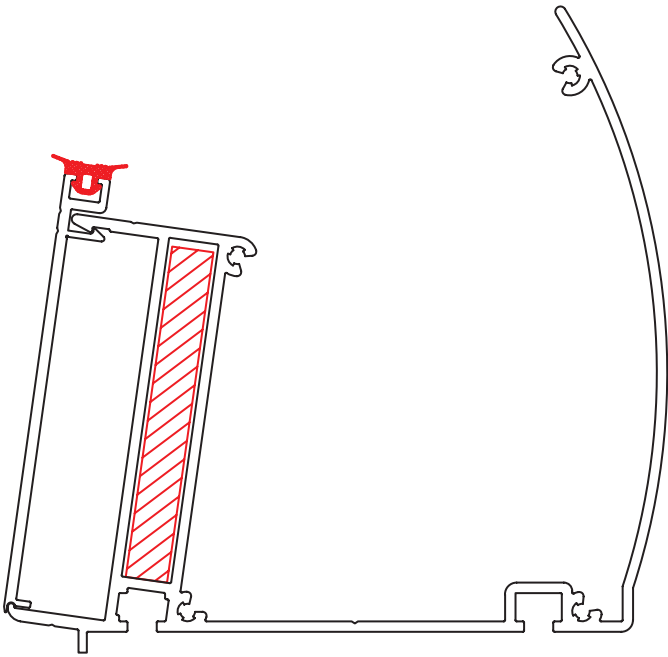
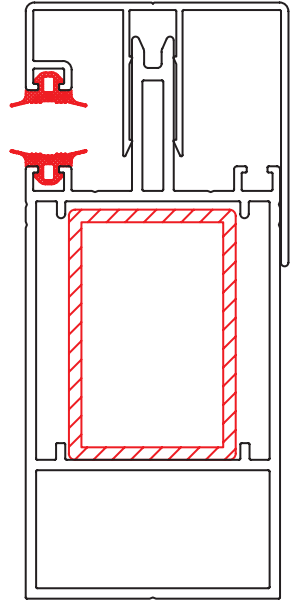
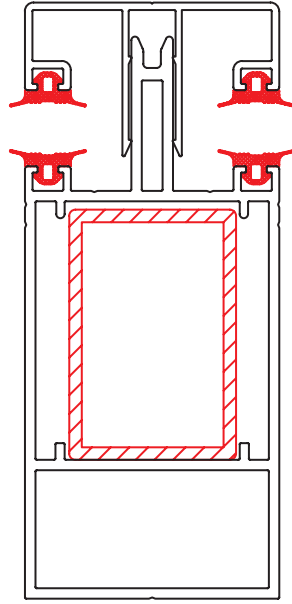
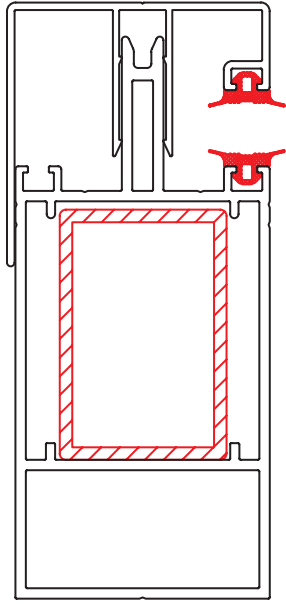
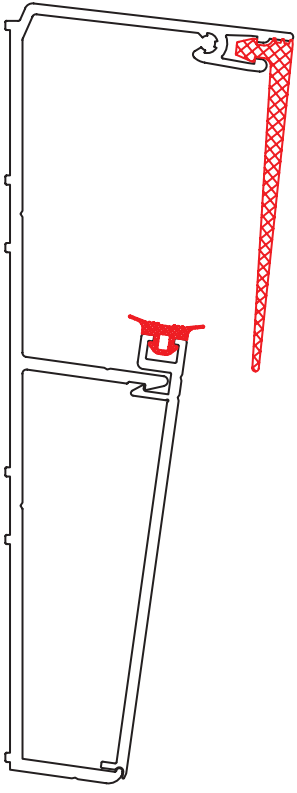




Four Seasons Winter Garden







Wall Connection Profile

Profile Nr : 2004

Weight kg/m: 2,555



Glass Holder Profile

Profile Nr : 2005

Weight kg/m: 3,230



Cover Profile

Profile Nr : 2007

Weight kg/m: 0,925



Cover Profile (Left and Right)

Profile Nr : 2008

Weight kg/m: 1,060



Column Profile

Profile Nr : 2009

Weight kg/m: 3,050



Column Cover Profile

Profile Nr : 2010

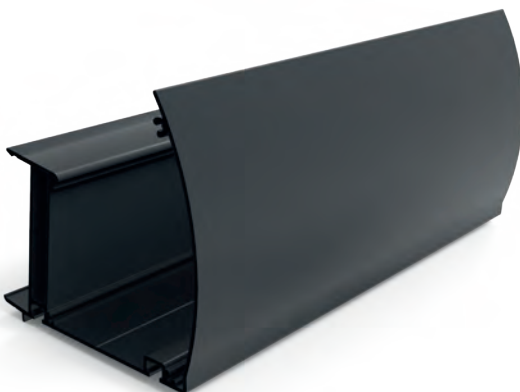
Weight kg/m: 1,025



Cover Profile For Groove
and Wall Connection Profile

Profile Nr : 2011

Weight kg/m: 0,890



Groove Profile

Profile Nr : 2012

Weight kg/m: 4,113



Column and Gutter Collection Profile



Column Ground Collection Profile



Wall Collection Steel Part

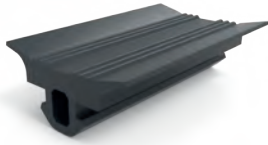


Steel Part For Gutter

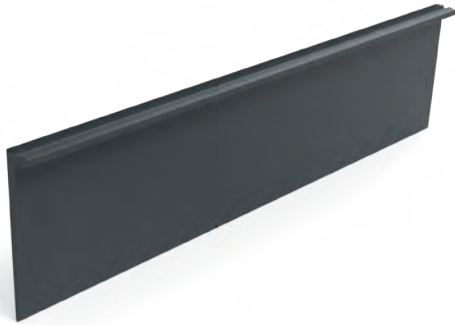


Steel Part For Glass Holder Profile

FOUR SEASONS WINTER GARDEN



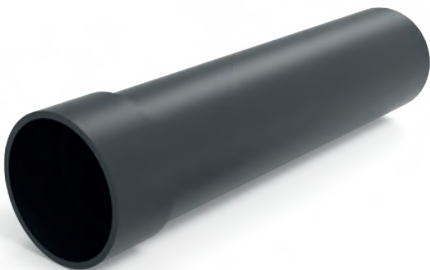
EPDM For Glass



EPDM For Wall Collection Profile



50 mm Filter



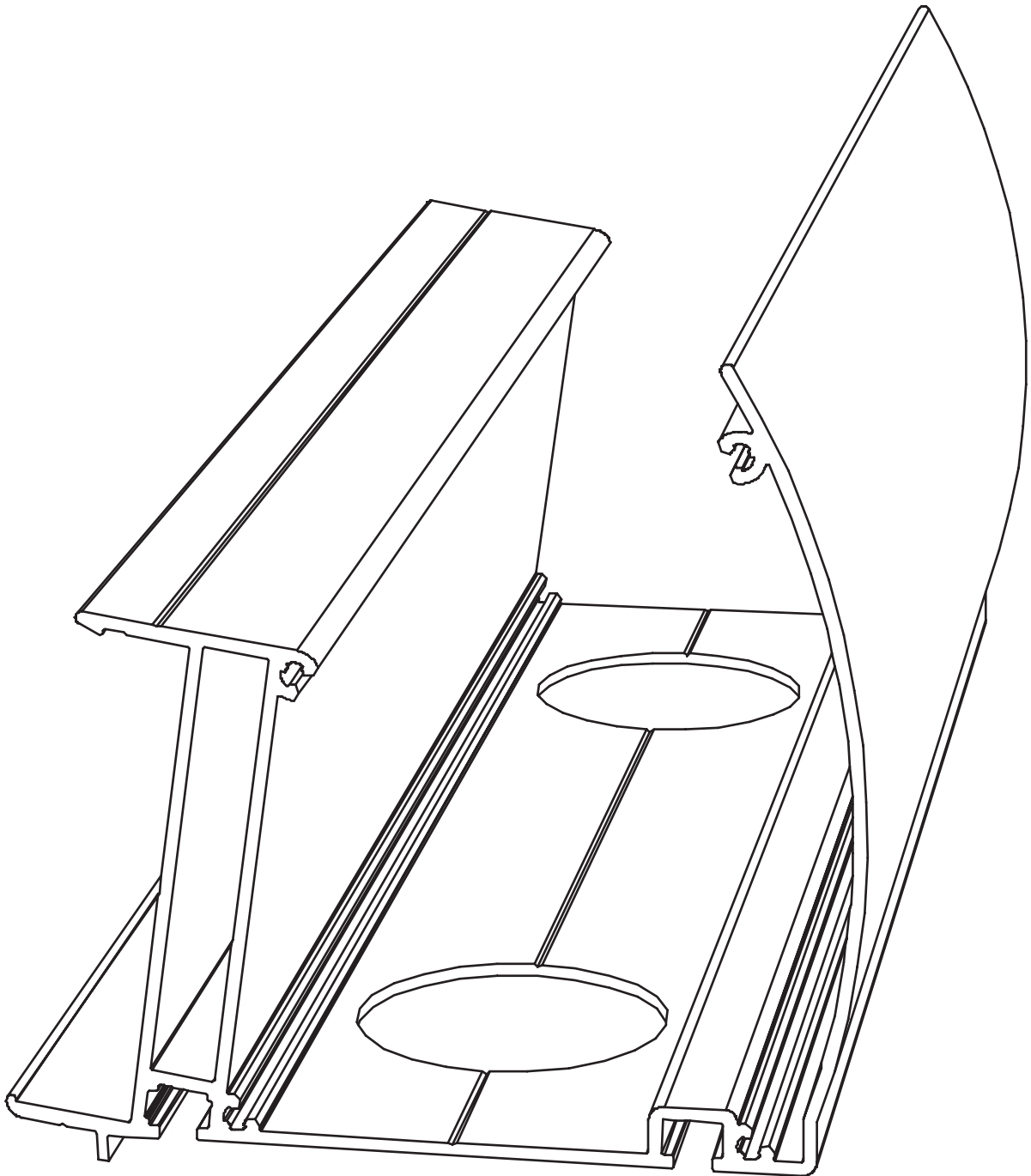
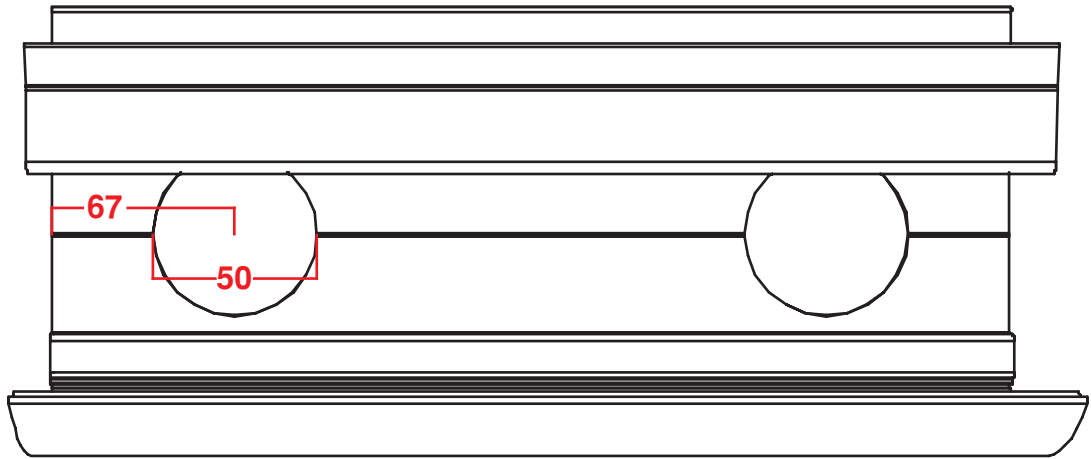
50 mm PVC Pipe



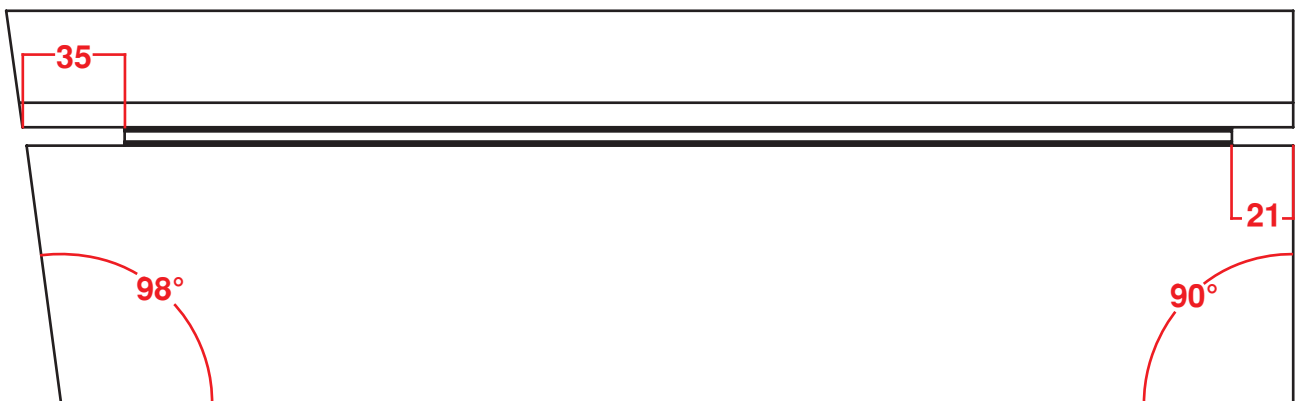
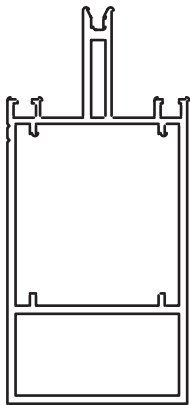
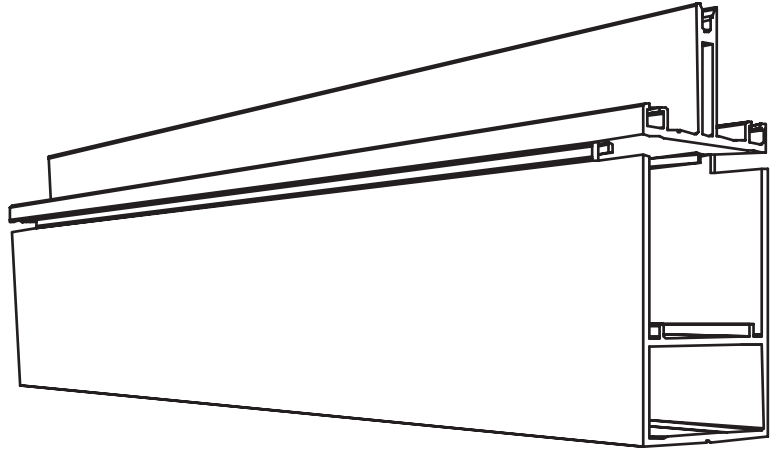
50 mm PVC Corner



Screw Set



WINTER GARDEN MONTAGE



WINTER GARDEN MONTAGE



